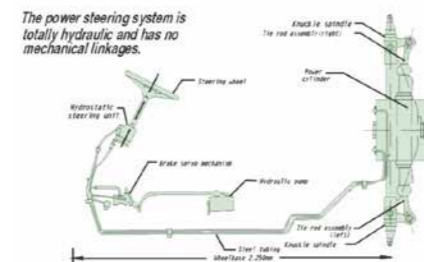




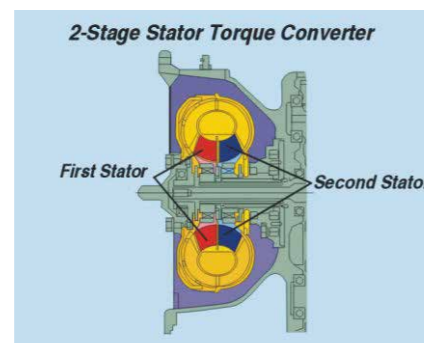
Hydrostatic Power Steering System

/ R series forklifts are equipped with a hydrostatic power steering system that works to reduce steering effort and reduce fatigue over long hours of operation. Completely hydraulic in design with no mechanical linkages, the smooth operation of this system helps to eliminate kickback and oversteer characteristics.



Advanced Technology for Superior All-round Performance

/ W19A&W14B series forklifts are now equipped with a new 2-stage stator torque converter that helps to improve allround work efficiency by providing smoother, fatigue-free operation. Making it unnecessary for the operator to shift from low to high gear (1st-2nd), the 2-stage stator torque converter is designed to eliminate shift shock. This greatly improves operator comfort-especially during long work shifts-and reduces the possibility of rocking the pallet when accelerating the forklift.



ZHEJIANG HANGCHA IMP. & EXP. CO., LTD.

Factory site: 666 Xiangfu Road, Hangzhou, Zhejiang, China (311305)

Tel: +86-571-88926735 88926755
Fax: +86-571-88926789 88132890

sales@hcforklift.com
www.hcforklift.com



Follow us on Facebook



Follow us on YouTube



Follow us on WeChat



ISO14001
ISO14001:2015



ISO9001
ISO9001:2015



HANGCHA trucks conform to the European Safety Requirements.

HANGCHA GROUP CO., LTD. reserves the right to make any changes without notice concerning colors, equipment, or specifications detailed in this brochure, or to discontinue individual models. The colors of trucks, delivered may differ slightly from those in brochures.

2018 VERSION 1, COPYRIGHT 2018/08



R Series Diesel / LPG / Dual fuel Counterbalanced Trucks

with capacities of 5,000 to 7,000kg

The World of Hangcha

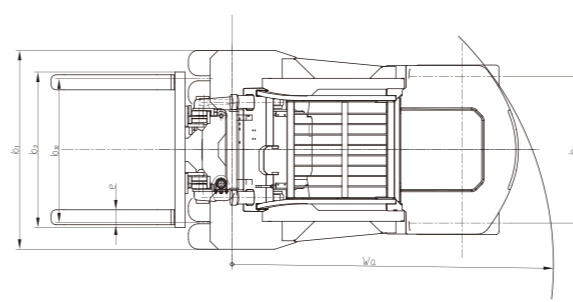
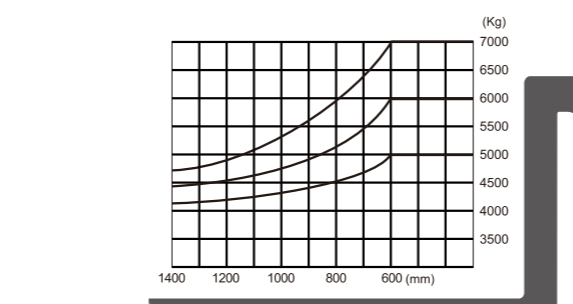
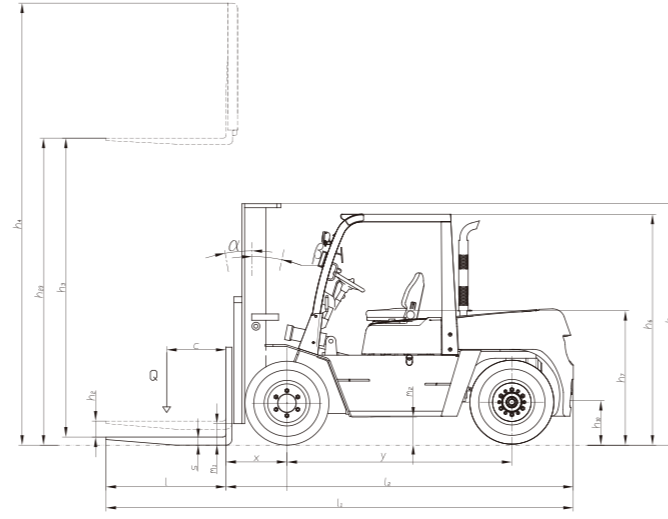


R series 5.0-7.0t forklift specification

Distinguishing mark	1.1 Manufacturer	HANGCHA GROUP CO.,LTD.																							
		CPD50-RG41	CPD50-Rw14	CPD50-Rw14B	CPD50-Rw38	CPD50-Rw38B	CPD50-Rw28	CPV050-Rw57	CPQYD50-Rw57	CPD60-RG41	CPD60-Rw14	CPD60-Rw14B	CPD60-Rw38	CPD60-Rw38B	CPD60-Rw28	CPV060-Rw57	CPQYD60-Rw57	CPD70-RG41	CPD70-Rw14	CPD70-Rw14B	CPD70-Rw38	CPD70-Rw38B	CPD70-Rw28	CPV070-Rw57	CPQYD70-Rw57
1.2	Manufacturer's type designation																								
1.3	Drive: electric (battery or mains), diesel, petrol, fuel gas	Diesel																							
1.4	Operator type: hand, pedestrian, standing, seated, order-picker	Seat																							
1.5	Load capacity/rated load	5000																							
1.6	Load centre distance	600																							
1.8	Load distance, centre of drive axle to fork	595.5																							
1.9	Wheelbase	2300																							
2.1	Service weight	8000																							
2.2	Axle loading, laden front/rear	11520/1480																							
2.3	Axle loading, unladen front/rear	3900/4100																							
3.1	Tyres: solid rubber, superelastic, pneumatic, polyurethane	pneumatic																							
3.2	Tyre size, front	R25-15-14PR																							
3.3	Tyre size, rear	R25-15-14PR																							
3.5	Wheels, number front rear (x = driven wheels)	4x/2																							
3.6	Tread, front	1489																							
3.7	Tread, rear	1460																							
4.1	Tilt of mast/fork carriage forward/backward	6/12																							
4.2	Height, mast lowered	2500																							
4.3	Free lift	160																							
4.4	Lift	3000																							
4.5	Height, mast extended	4407																							
4.7	Height of overhead guard	2340																							
4.8	Seat height	1280																							
4.12	Coupling height	450																							
4.19	Overall length	4710																							
4.20	Length to face of forks	3510																							
4.21	Overall width	1990																							
4.22	Fork dimensions	60x150x1200																							
4.23	Fork carriage DIN 15173, class/type A, B	IV A																							
4.24	Fork-carriage width	1700																							
4.31	Ground clearance, laden, below mast	170																							
4.32	Ground clearance, centre of wheelbase	270																							
4.35	Turning radius	3210																							
5.1	Travel speed, laden/unladen	-26																							
5.2	Lift speed, laden/unladen	0.405/-																							
5.3	Lowering speed, laden/unladen	0.450/-																							
5.7	Gradeability, laden/unladen	20/-																							
5.10	Service brake	Hydraulic																							
7.1	Engine manufacturer/type	CHINA/YC4A1152																							
7.2	Emission Standard	Stage III A/Tier 3																							
7.3	Engine power acc to ISO 1585	85																							
7.4	Rated speed	2200																							
7.4	Number of cylinders/displacement	4/4836																							
10.1	Operating pressure for attachments	190																							
10.8	Towing coupling, type DIN 15170	Pin																							

R series 5.0-7.0t forklift mast specification

Type	Model	max. fork height	Overall height		Free lift	Tilt range		Capacity		
			Lowered	Extended		FWD	RWD	load capacity at 600mm		
			mm	mm	mm			(°)	(°)	5T
Wide view full free mast	50N,7M	2500	2250	3920	160	6	12	5000	6000	7000
		2700	2350	4120	160	6	12	5000	6000	7000
		3000	2500	4420	160	6	12	5000	6000	7000
		3300	2650	4720	160	6	12	5000	6000	7000
		3600	2800	5020	160	6	12	5000	6000	7000
		4000	3000	5420	160	6	12	5000	6000	7000
		4300	3200	5720	160	6	6	5000	6000	7000
		4500	3300	5920	160	6	6	5000	6000	7000
		4800	3450	6220	160	6	6	5000	6000	7000
		5000	3550	6420	160	6	6	5000	6000	7000
		5500	3850	6920	160	3	6	4700	5700	6600
		6000	4100	7420	160	3	6	4700	5400	6400
Wide view full free Duplex mast	50U,7U	2500	2185	3637	1048	6	12	5000	6000	7000
		2700	2300	3837	1163	6	12	5000	6000	7000
		3000	2450	4137	1313	6	12	5000	6000	7000
		3300	2600	4437	1463	6	12	5000	6000	7000
		3600	2750	4737	1613	6	12	5000	6000	7000
Wide view full free Triplex mast	50N,7N	4000	2950	5137	1813	6	12	5000	6000	7000
		4500	2720	5920	1323	6	6	4500	5500	6200
		4800	2820	6220	1423	6	6	4500	5500	6200
		5000	2870	6420	1473	6	6	4500	5500	6200
		5500	3070	6920	1673	3	6	4200	5200	5800
		6000	3220	7420	1823	3	6	4000	5000	5500
7000	3670	8420	2273	3	6	2900	3300	3600		



Non-slip Floor and Step

/ The wide-open step is not only convenient to access but safer thanks to anti-slip mats. To further improve safety in demanding work conditions, the floor board is constructed of embossed steel to reduce the possibility of slipping.



Options

- / 2.5-6.0m duplex mast
- / Special carriage and backrest
- / Solid tyre
- / Cabin
- / Heater and air conditioner
- / Other dimension forks
- / Sideshifter
- / Other attachment
- / Fire extinguisher
- / Suspension seat
- / Dual air cleaner or special air cleaner
- / Rear working light
- / Customer painting

